

"W" -
 "D" -

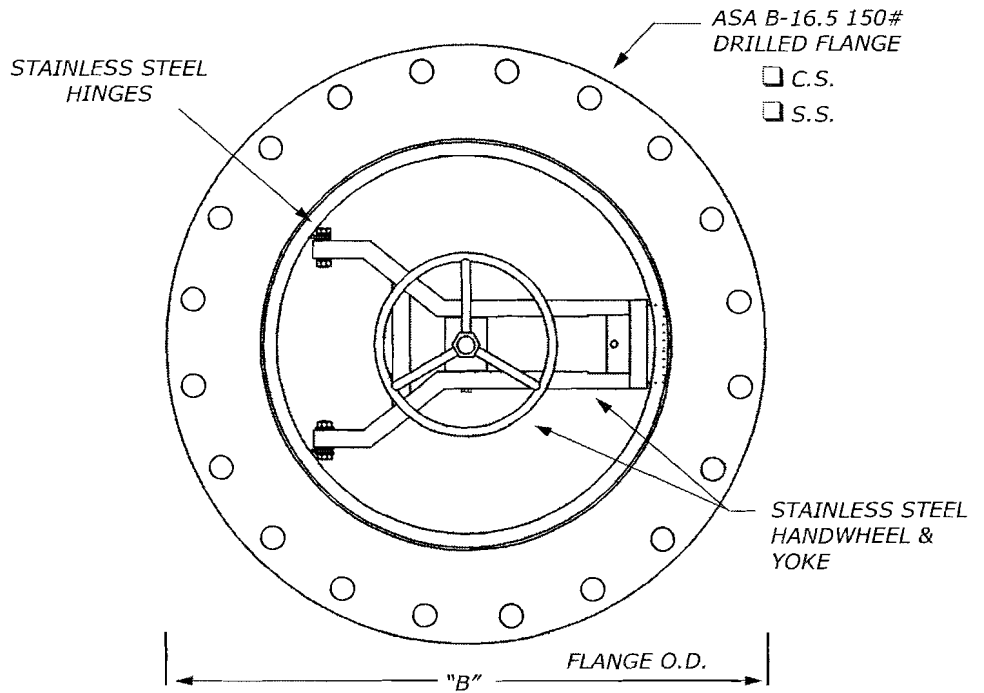
EXISTING
 INSERT LENGTH
 CHEST DIA. IF NOT
 FOR STRAIGHT WALL

STANDARD SIZES AVAILABLE FOR
 24", 30", & 36" ID & IPS PIPE
 SCHED 10-SCHED 80 WALL

CHECK SIZE DESIRED			
(✓)	SIZE	A"	B"
<input type="checkbox"/>	24"	22"	32"
<input type="checkbox"/>	30"	28"	38.75"
<input type="checkbox"/>	36"	34"	46"

(✓) CHECK MATERIAL TYPE		
<input type="checkbox"/>	304L	6% MOLY
<input type="checkbox"/>	316L	C.S.
<input type="checkbox"/>	317L	OTHER

GASKET MATERIAL:
PRESSURE RATING:
CERTIFIED BY:
DATE:



C.S.
 S.S.

REMARKS:

CUSTOMER:	
C.A.I. S.O. #	REV. DATE
PRODUCT NO. CM-3	
CONCRETE WALL, POLY TANK, OR STEEL TANK CONVERSION	

QUICK-OPENING HIDDEN-HINGED MANWAY
CHASE ASSOCIATES P.O. BOX 75 EDGECOMB, MAINE 04556 TEL 207-882-7526 • FAX 207-882-6392 www.manways.com