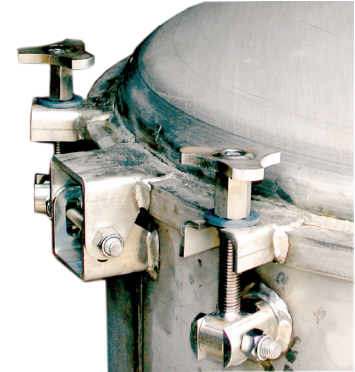


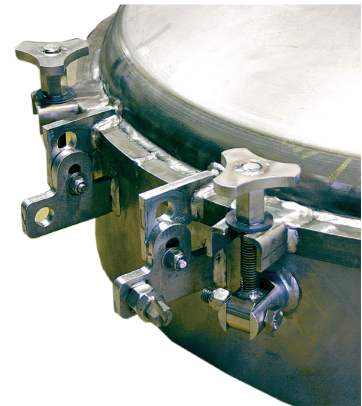
**CHASE
Associates**

Quick-Opening Out-Swing Manway

for Vertical or Horizontal Installation



Standard Hinge



Locking Hinge

Product No. CM-12

Description

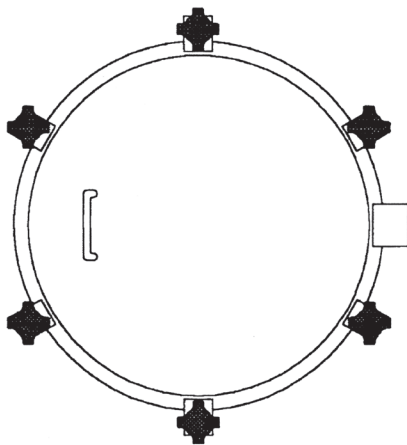
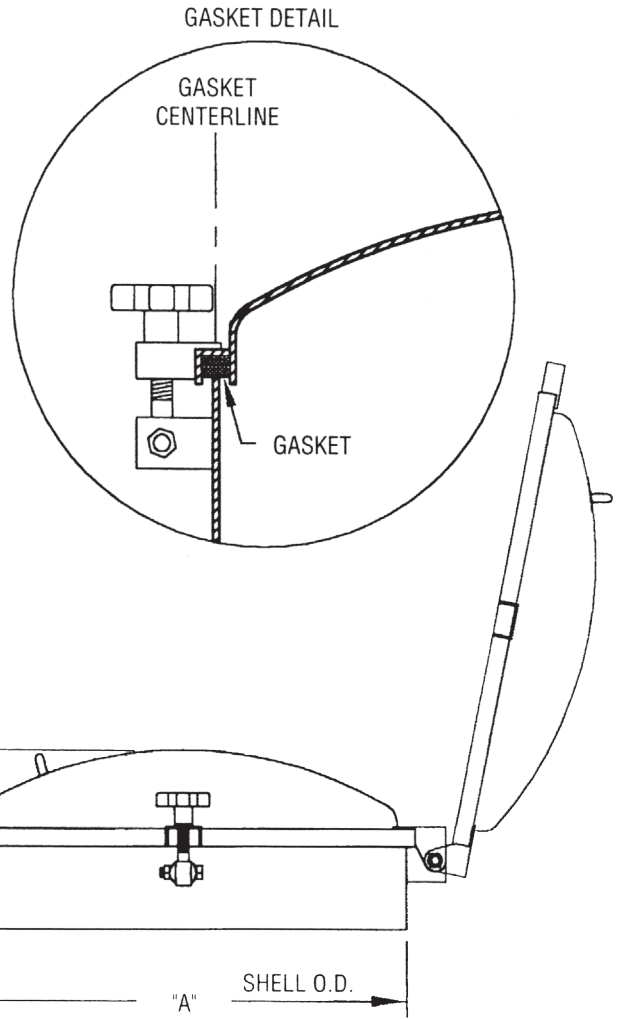
Chase Associates Quick-Opening Out-Swing Manways secure a hinged ASME flanged and dished head against a liquid-tight replaceable gasket with a series of quick release toggles. Provides access in seconds and conforms with OSHA Permit Required Confined Space Rules.

Typical Applications

Install in vertical or horizontal position in steel tanks or concrete walls. **For Pulp and Papermaking, Wastewater Treatment Plants, and Processing Tanks.** Available in sanitary designs.



Product No. CM-12



Sizes & Pressure Ratings				Construction Materials		Gasket Materials		
Size	Shell OD (A)	Height (B)	Max PSI	Stainless Steel	<ul style="list-style-type: none"> • 304L • 316L • 317L 	<ul style="list-style-type: none"> • EPDM • BUNA-N • Neoprene • Hypalon 	<ul style="list-style-type: none"> • Viton • Chemigum • FDA approved materials 	
12"	13"	8"	101					6% Moly Alloys
14"	15"	9"	74			<ul style="list-style-type: none"> • 25-6MO • AL-6XN • 254SMO 	<ul style="list-style-type: none"> • Sightglasses & Lights • Drilled Mounting Flanges for bolt-up to existing flanged inserts. • Grout Rings for Concrete walls • Custom Fittings for special applications 	
16"	17"	9"	85	Carbon Steel				
18"	19"	9"	67		<ul style="list-style-type: none"> • A36 • A516 Gr. 70 			
20"	21"	10"	55	Ask about other materials				
24"	25"	10"	50					
30"	31"	12"	40					
36"	37"	14"	33					

CHASE ASSOCIATES, Inc.
 Providing access products and technology since 1979

